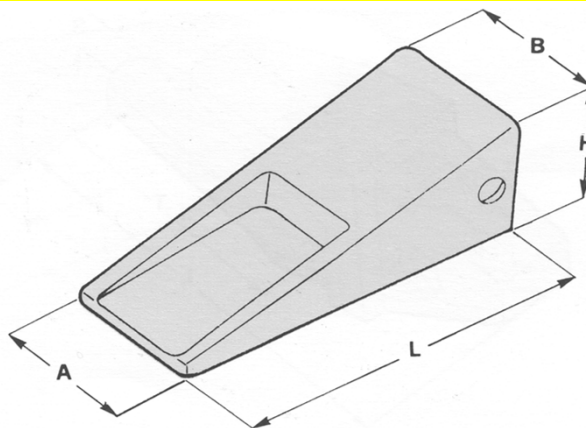
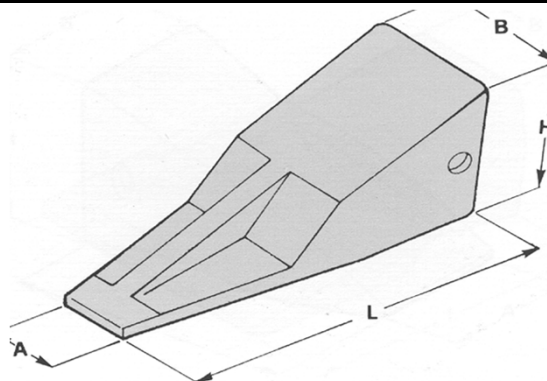


Caterpillar "lang" / "long"



ArtikelNr./partno:	Ref.Nr.: Ref.No:	Klasse size	Abm./Dim. mm				kg	Halter adapter	Bolzen Pin	Ring Retainer
			L	A	B	H				
04.00684	1U3202	J200	146	50	57	63	1,2	04.00669 04.00675	04.00732	04.00740
04.00686	6Y3222	J225	170	55	65	77	2,0	04.00676	04.00733	04.00741
04.00687	1U3252	J250	194	62	74	86	2,9	04.00670 04.00677	04.00734	04.00741
04.00692	1U3302	J300	220	72	89	97	4,4	04.00671 04.00678	04.00735	04.00741
04.00703	1U3352	J350	245	85	102	107	6,5	04.00672 04.00679	04.00736	04.00742
04.00713	7T3402	J400	267	105	115	122	9,5	04.00681	04.00737	04.00743
04.00717	9W8452 1U3452	J460	292	107	129	130	11,0	04.00682	04.00738	04.00744
04.00724	9W8552 1U3552	J550	338	135	153	148	17,5	04.00683	04.00739	04.00745

Caterpillar "scharf" / "penetration"

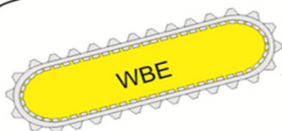


ArtikelNr./partno:	Ref.Nr.: Ref.No:	Klasse size	Abm./Dim. mm				kg	Halter adapter	Bolzen Pin	Ring Retainer
			L	A	B	H				
auf Anfrage	9J4259	J250	194	34	75	86	2,4	04.00670 04.00677	04.00734	04.00741
04.00699	9J4309	J300	216	42	92	99	3,6	04.00671 04.00678	04.00735	04.00741
04.00709	9J4359	J350	240	49	100	100	5,5	04.00672 04.00679	04.00736	04.00742
04.00716	6Y7409	J400	247	52	112	120	8,1	04.00681	04.00737	04.00743
04.00723	9W8459 9J4459	J460	292	53	125	134	10,0	04.00682	04.0738	04.00744
04.00727	9W8559 9J4559	J550	334	70	155	153	15,0	04.00683	04.0739	04.00745

<http://www.weiss-wbe.com>

**Weiss Franz**  
Handels GmbH.  
Baumaschinenersatzteile

<http://www.gummikette.at>



A-8561 Söding, Packer Str. 166  
Telefon 0043(0) 3137 - 43 0 70 Fax 0043(0) 3137 - 43 0 70 - 6  
Mobil Tel: 0043(0) 664 - 10 18 608  
E-mail: office@weiss-wbe.com

