

L A S T H A K E N

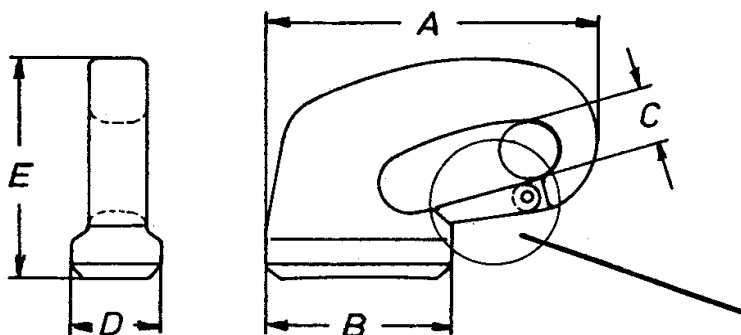
hooks



ArtikelNr.: part no:	Tragkraft working/load	Abmessungen/dimension mm					kg	Reparaturset repair set
		a	b	c	d	e		
04.00195	1,0 to	125	70	20	32	81	1,1	04.00196
04.00144	2,5 to	163	90	28	42	105	2,1	04.00164
04.00173	5,0 to	196	108	32	52	129	4,2	04.00187
04.00174	7,5 to	250	135	45	75	161	8,5	04.00163
04.00175	12,5 to	295	170	45	80	178	13,2	04.00163

Reparaturset/repair set

04.00196	1,0 to
04.00164	2,5 to
04.00187	5 to
04.00163	7,5 to
04.00163	12,5 to



Reparaturset/repair set

<http://www.weiss-wbe.com>

Weiss Franz
Handels GmbH.
Baumaschinenersatzteile

<http://www.gummikette.at>

A-8561 Söding, Packer Str. 166
Telefon 0043(0) 3137 - 43 0 70 Fax 0043(0) 3137 - 43 0 70 - 6
Mobil Tel: 0043(0) 664 - 10 18 608
E-mail: office@weiss-wbe.com

WBE

WBE